

ASSEMBLY INSTRUCTIONS

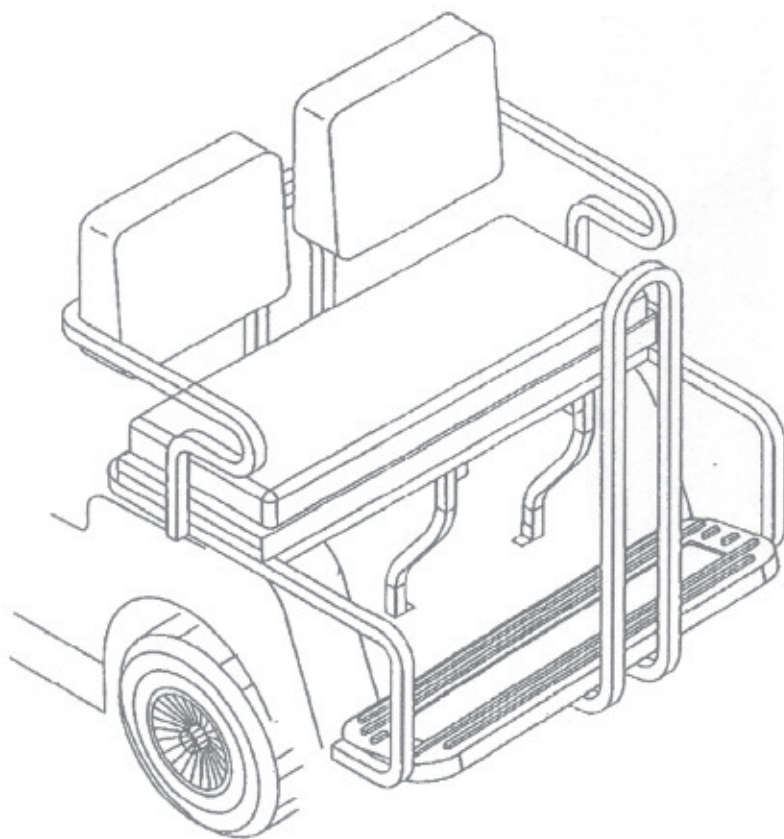
PAGE 1 OF 4

YAMAHA G8/G14/G16/G19 and G22

HARDWARE INCLUDED:

- REAR SEAT KIT
- REAR SEAT "2-in-1" COMBO
- REAR SEAT "3-in-1" COMBO

- (4) 1" SPACERS
- (2) 1/8" "L" BRACKETS
- (4) 1-1/2" x 1/4-20 BOLTS
- (2) 3" x 1/4-20 BOLTS
- (2) 3" x 1/4-20 CARRIAGE BOLTS
- (6) 3-1/2" x 1/4-20 BOLTS
- (4) 4" x 1/4-20 BOLTS
- (22) 1/4-20 NUTS
- (34) FLAT WASHERS



NOTE: Some hardware is specific for certain seat kits. You may find extra hardware remaining after your installation.

PLEASE CONTACT SUPPLIER IF ANY HARDWARE IS MISSING.

TOOLS REQUIRED:

- 17/64" DRILL BIT/DRILL
- 7/16" SOCKET
- 7/16" WRENCH

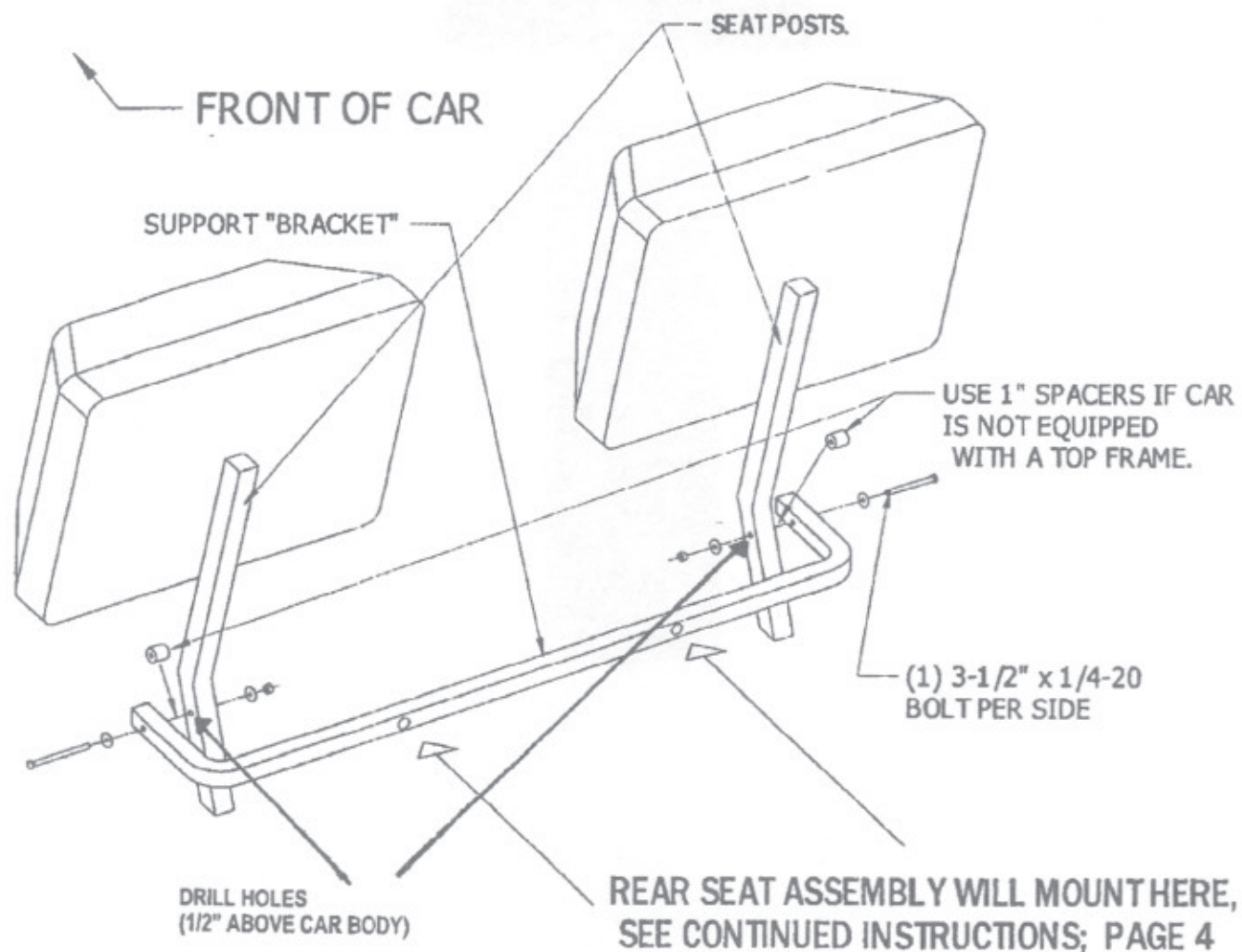
Copyright© 1997-2010. All Rights Reserved.

STEP 1: MOUNT FRONT SUPPORTS

PAGE 2 OF 4

FOLLOW SEQUENCE BELOW; *FINGER TIGHTEN ONLY UNTIL UNIT IS FULLY ASSEMBLED.*

1. REMOVE BAG RACK.
 2. INSTALL SEAT POST USING FACTORY BOLTS FROM BAG RACK.
- NOTE: BRACKET MOUNTS TO OUTSIDE OF TOP FRAME UPRIGHTS OR; USE 1" SPACERS IF CAR IS NOT EQUIPPED WITH A TOP FRAME.

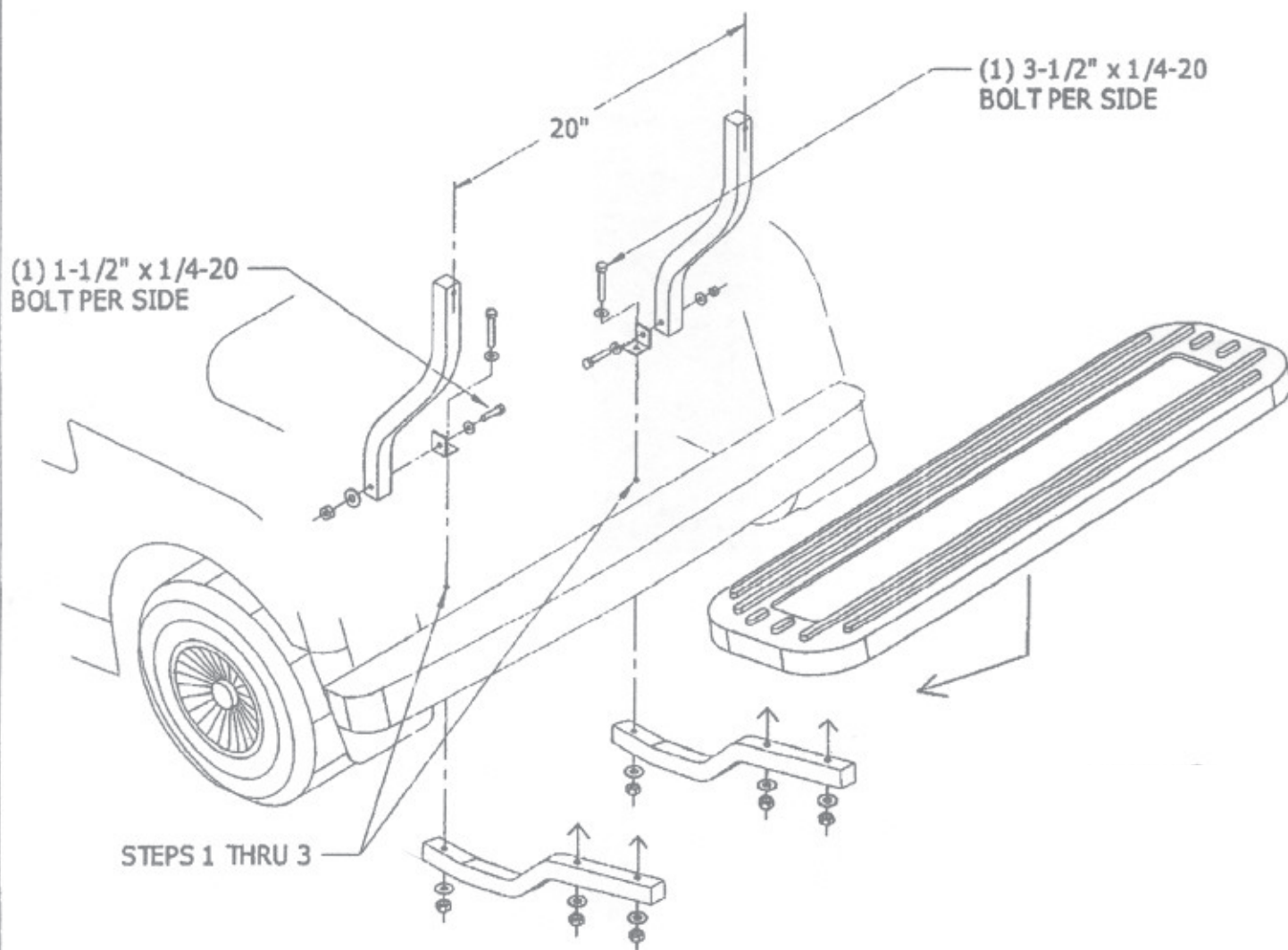


STEP 2: FINAL ASSEMBLY

PAGE 3 OF 4

FOLLOW SEQUENCE BELOW; *FINGER TIGHTEN ONLY UNTIL UNIT IS FULLY ASSEMBLED, THEN TIGHTEN COMPLETELY.*

- 1) MOUNT 1/8" "L" BRACKETS TO LOWER CENTER SUPPORT TUBES (FACING THEM INWARD).
- 2) NOTE: MAINTAIN 20" DIMENSION; HOLE CENTER TO HOLE CENTER, BEFORE DRILLING FLOOR!
- 3) DRILL THROUGH FLOOR AT 1/8" "L" BRACKETS; (MARK FLOOR FIRST AND MOVE COMPONENTS OUT OF THE WAY IF NEEDED).
- 4) BOLT FOOTREST MOUNTING TUBES TO BOTTOM OF FOOTREST.
- 5) MOUNT FOOTREST ASSEMBLY BENEATH BAGWELL WHEN BOLTING DOWN CENTER SUPPORTS AT "L" BRACKETS ON CENTER TUBES THROUGH NEW HOLES IN BAGWELL FLOOR.

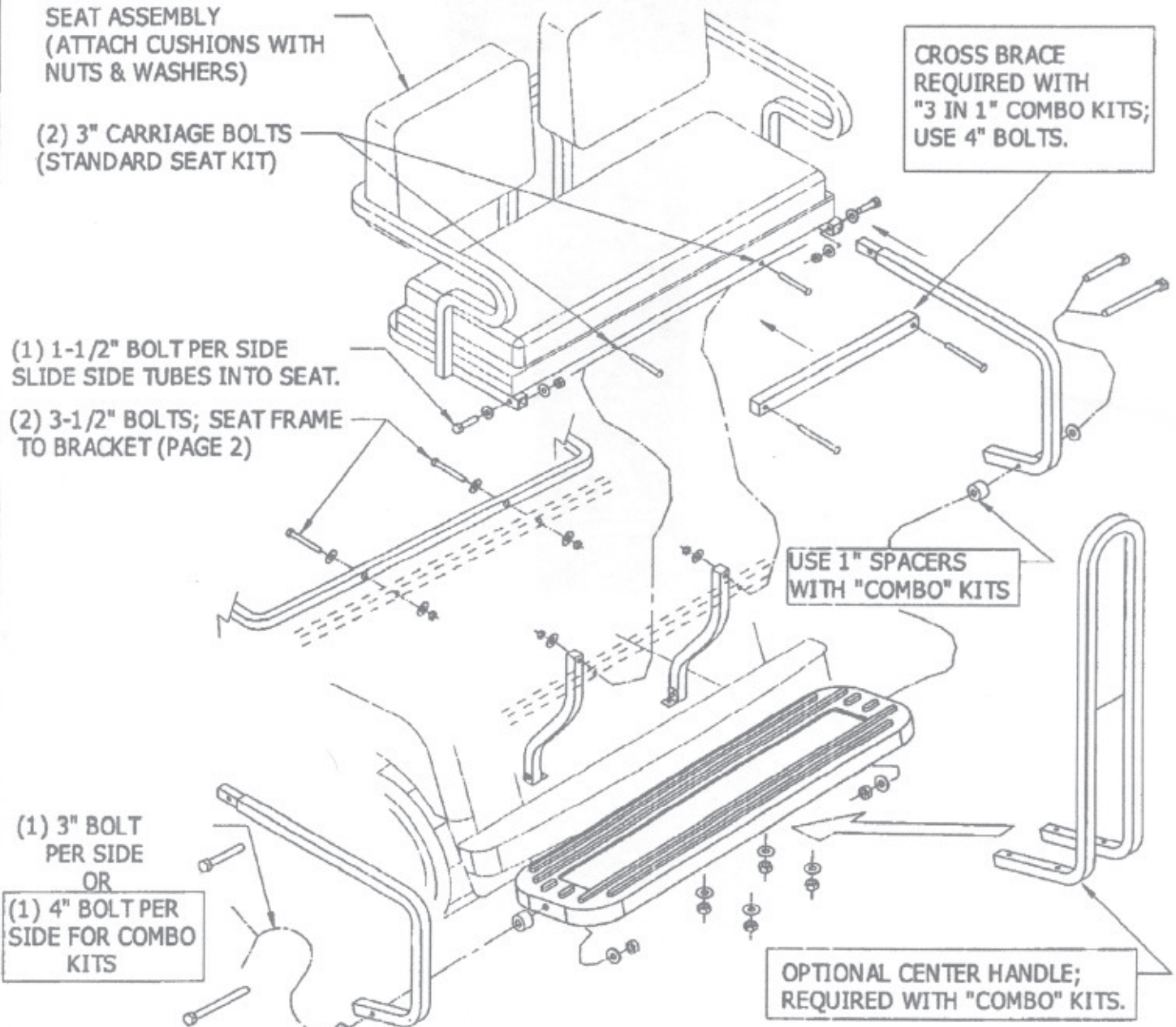


STEP 2: FINAL ASSEMBLY (Continued)

PAGE 4 OF 4

FOLLOW SEQUENCE BELOW; *FINGER TIGHTEN ONLY UNTIL UNIT IS FULLY ASSEMBLED, THEN TIGHTEN COMPLETELY.*

- 7) ATTACH SEAT BACK CUSHIONS TO SEAT ASSEMBLY. MOUNT SEAT ASSEMBLY ONTO CAR AS SHOWN. NOTE: CROSS BRACE IS ALSO REQUIRED WHEN INSTALLING "3-IN-1" COMBO SEAT KITS.
- 8) MOUNT SIDE TUBES INTO SEAT ASSEMBLY AND ONTO THE STEP. USE SPACERS WITH "COMBO" KITS.
- 9) MOUNT OPTIONAL CENTER HANDLE, (REQUIRED WITH "2 IN 1" AND "3 IN 1" COMBO KITS. IF HANDLE IS NOT USED, IT IS RECOMENDED TO CUT OFF EXTENDED STUDS BELOW STEP.



Copyright© 1997-2010. All Rights Reserved.

©2006 **IMPORTANT: INSTRUCTIONS MUST BE FOLLOWED TO ASSURE WARRANTY**