



01-198

Deluxe Golf Bag Attachment

for GTW Mach3 Deluxe Grab Bar 01-200



INCLUDED:

- Lower Mounting Strap
- 2 Rail Attachments
- Golf Bag Holder
- Hardware Pack



Lower Mounting Strap



Rail Attachments



Golf Bag Holder

TOOLS NEEDED:

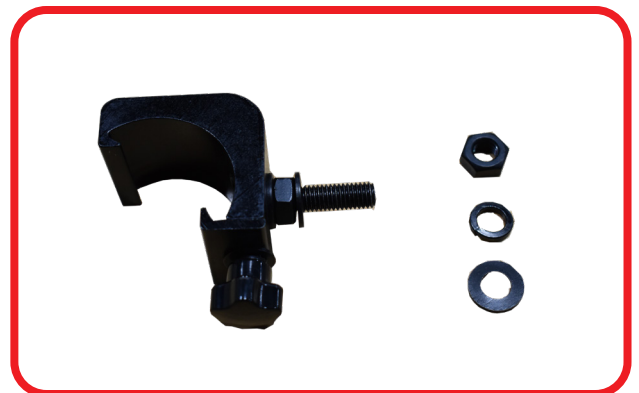
- 17mm Wrench

WARNING:

GTW recommends professional installation. If you choose to not have this product installed by a professional, we highly recommend that you exercise caution, care, and patience when installing this product as it involves drilling holes into your cart's body.

Step 1

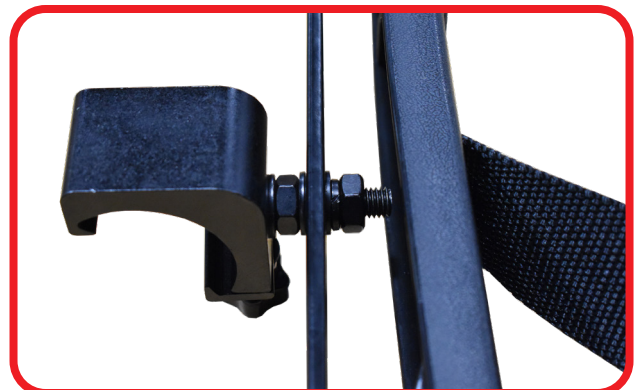
Remove nuts and one each of the lock & flat washers from rail attachment clamps as shown.



Step 2

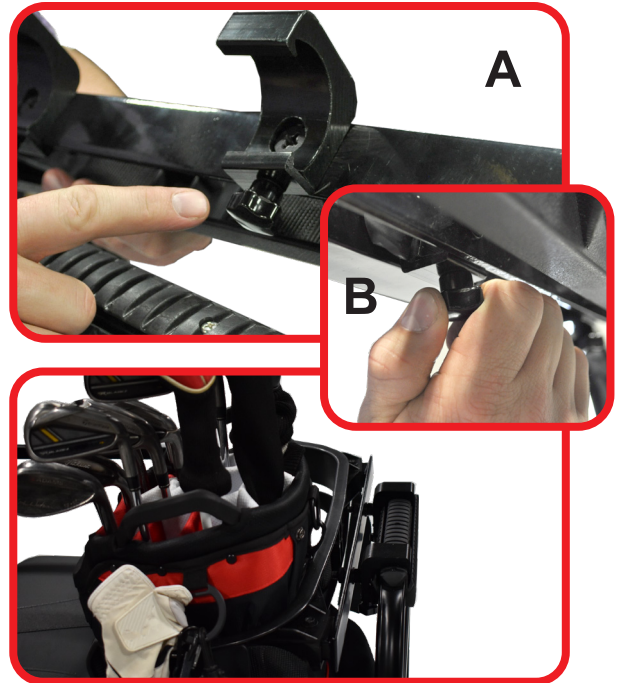
Insert bolt with clamp into golf bag holder in mounting holes as shown.

Using a 17mm Wrench, attach holder and rails together using washer, lock washer, and nut as shown. Tighten hardware.



Step 3

- A. Loosen threaded knob on bottom of rail clamps and slide Golf bag holder onto rail.
- B. Tighten rail clamps to rail using threaded knobs in desired location.



Step 4

Install lower strap around grab bar and golf bag or bags as needed and secure excess with velcro strap.



INSTALLATION COMPLETE

Hardware Pack

- 2 - 10mm x 45mm counter sunk phillips #3
- - 10mm flat washers
- 2 - 10mm lock washers
- - 10mm nuts
- Lower mounting strap

Warranty Parts

- W01-65-1
Golf Bag Attachment Holder with Strap & Bar
- W01-65-2
Hardware Pack

