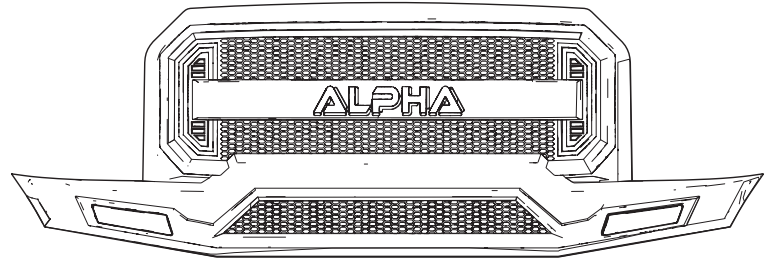


MADJAX

Part # 05-245 Alpha Deluxe Grille with Lights



ITEMS INCLUDED

- Grille & Lights
- T-Lock Connectors
- Mounting Hardware

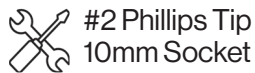
TOOLS NEEDED

- #2 Phillips Tip
- Pliers
- 10mm Socket

If replacing a Gen1 Alpha Grille

If installing Deluxe grille on new cowl skip to Step 3

STEP 1

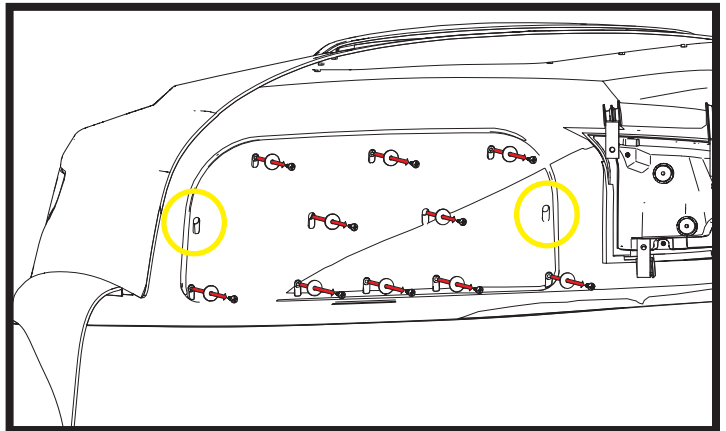


#2 Phillips Tip
10mm Socket

Remove the two nuts from the carriage head bolts located on each side of the mounting bracket.

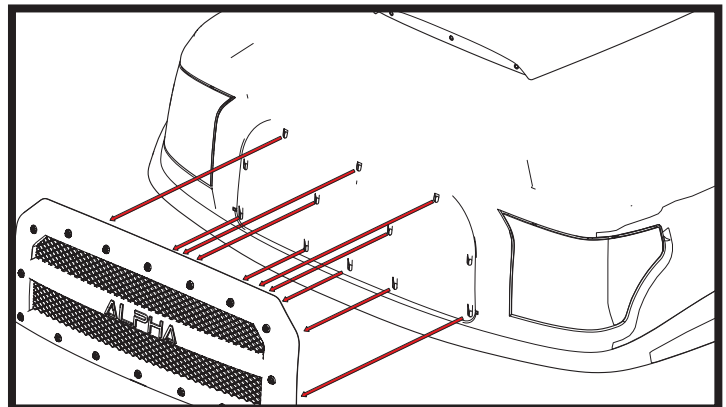
Then remove the ten (10) #8 screws and washers that hold the grille to the front cowl.

Retain this hardware as it will be used to install the new grille.



STEP 2

Remove the stock grille from the cowl, but leave the two carriage head bolts in place.



Installing New Deluxe Alpha Grille

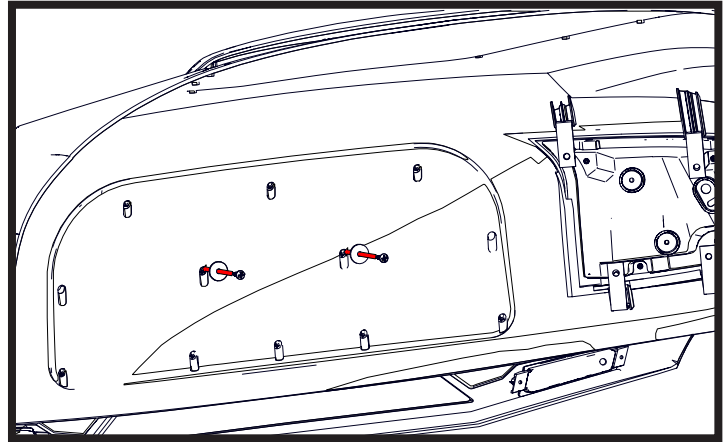
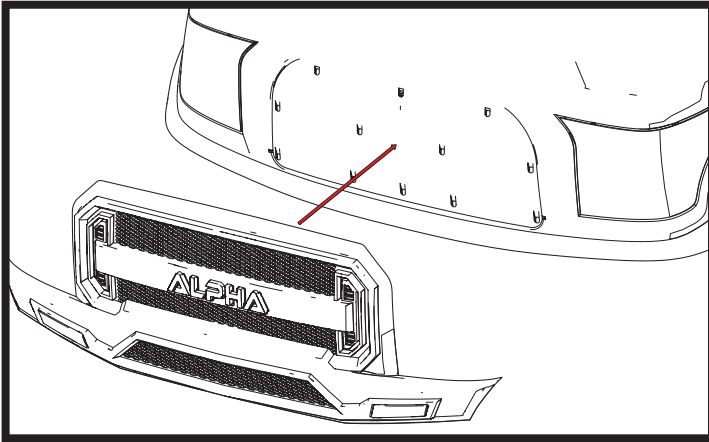
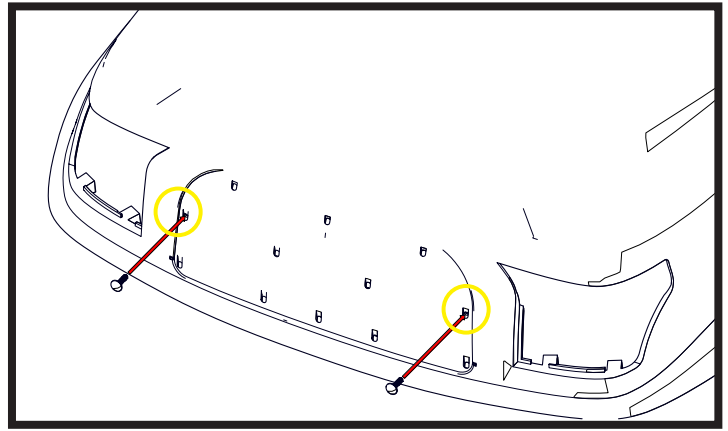
STEP 3



#2 Phillips Tip

Ensure carriage head bolts are in position in the outside center holes to attach the mounting bracket after the next step.

Place the Alpha Deluxe Grille with Lights in position. Secure grille to the cowl using two of the #8 screws and flat washers at the center two holes as shown.

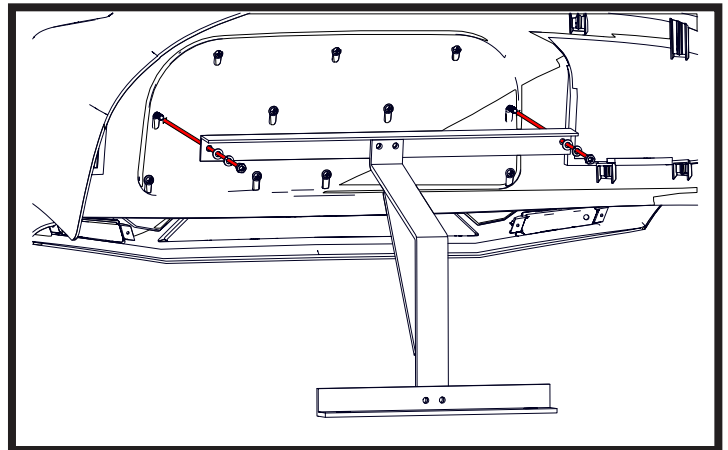


STEP 4



10mm Socket

Attach the mounting bracket to the carriage head bolts and tighten.

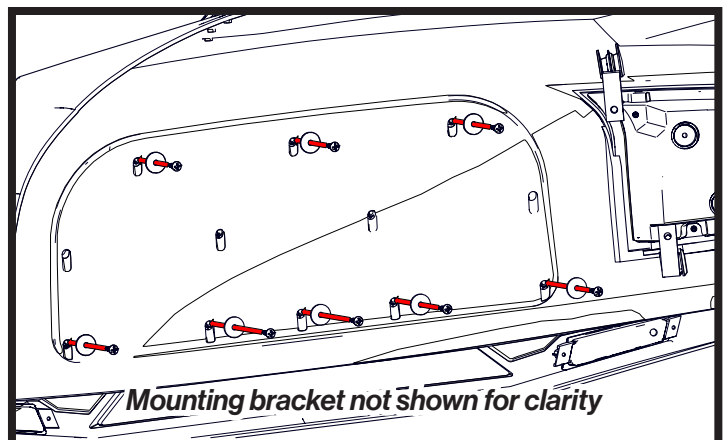


STEP 5



#2 Phillips Tip

Secure grille to cowl using the #8 screws with flat washers as shown.



Grille Light Hookup

STEP 6



Alpha cowl installation with Gen1 Chrome headlights (02-040) or Gen2 Ultimate Plus (02-130)

- Using the supplied T-Lock Connector, attach the first T-Lock to the black ground (GR) wire coming from the headlight. Then plug in the black wire with male spade connector from the Grille light into the T-Lock connector.
- For the Grille Lights to come on when the headlights are switched on attach the second T-Lock to the Blue wire for (02-040) and the Gray wire from (02-130) from the headlight (HL).
- Plug in the red wire with male spade from the Grille Light.

OR

- For the Grille Lights to come on with the Daytime Run Lights (DRL) attach the second T-Lock to the Red/White wire coming from your headlight. Note: on the 02-040, the DRL must be hooked through the key switch via a 12v converter.
- Plug in the red wire with male spade from the Grille Light.

Repeat the process on the other side.

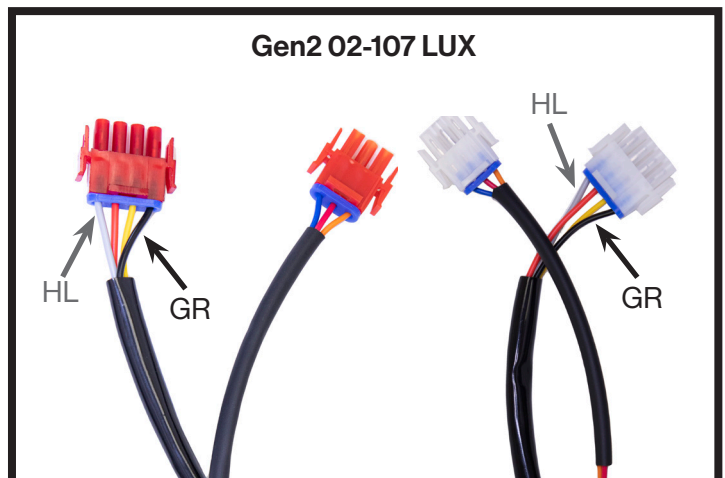
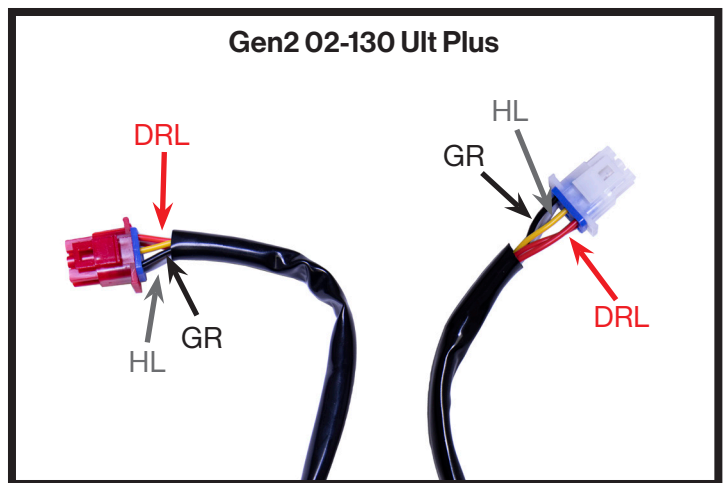
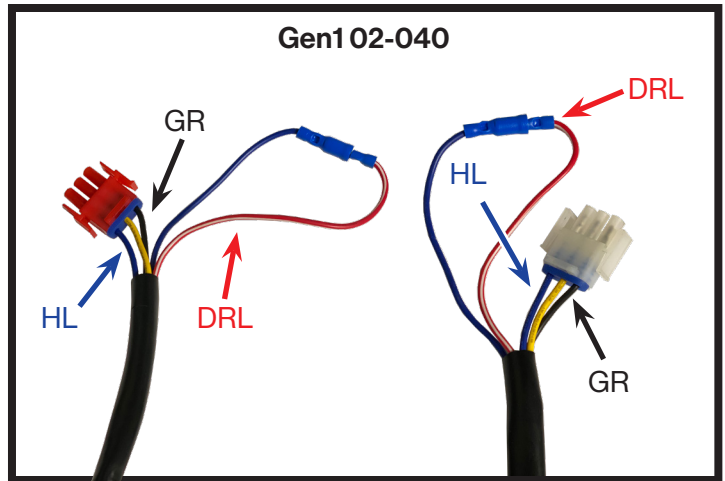
STEP 7



Alpha cowl installation with Gen2 LUX Headlights (02-107)

- Using the supplied T-Lock Connector, attach the first T-Lock to the black ground wire on 4 pin coming from the headlight. Then plug in the black wire with male spade connector from the Grille light into the T-Lock connector.
- Attach the second T-Lock to the Gray wire coming from your headlight 4 pin.
- Plug in the red wire with male spade from the Grille Light.

Repeat the process on the other side.



INSTALLATION COMPLETE